

JET 1

with **ATS**

Owner's Manual



Stylish Design and Premium Performance[®]

Pride
Mobility Products Corp.

Exeter, PA
St. Catharines, ON

1-800-800-8586

www.pridemobility.com

JET
Power Chairs

JET
Power Chairs

JET
Power Chairs

JET
Power Chairs

JET
Power Chairs

JET
Power Chairs

JET
Power Chairs

JET
Power Chairs

JET
Power Chairs

SAFETY GUIDELINES

Please read and follow all instructions in this owner's manual before attempting to operate your power chair for the first time. If there is anything in this manual you do not understand, or if you require additional assistance for set-up, contact your authorized Pride provider.

Using your Pride product safely depends upon your diligence in following the warnings, cautions, and instructions in this owner's manual. Using your Pride product safely also depends upon your own good judgement and/or common sense, as well as that of your provider, caregiver, and/or healthcare professional. Pride is not responsible for injuries and/or damage resulting from any person's failure to follow the warnings, cautions, and instructions in this owner's manual. Pride is not responsible for injuries and/or damage resulting from any person's failure to exercise good judgement and/or common sense.

The symbols below are used throughout this owner's manual to identify warnings and cautions. It is very important for you to read and understand them completely.



WARNING! Failure to heed the warnings in this owner's manual may result in personal injury.



CAUTION! Failure to heed the cautions in this owner's manual may result in damage to your power chair.

CONTENTS

I. INTRODUCTION	4
II. SAFETY	6
III. EMI/RFI	14
IV. THE JET 1 ATS	16
V. ASSEMBLY	21
VI. COMFORT ADJUSTMENTS	23
VII. DISASSEMBLY	26
VIII. OPERATION	27
IX. BATTERIES AND CHARGING	30
X. CARE AND MAINTENANCE	35
XI. OPTIONAL ACCESSORIES	40
XII. WARRANTY	42

I . I N T R O D U C T I O N

INTRODUCTION

Welcome to Pride Mobility Products Corporation (Pride). Congratulations on the purchase of your new Pride Power Chair. The Pride Power Chair design combines the most advanced state-of-the-art components with modern, attractive styling. We are certain that the design features and trouble-free operation of your new power chair will add convenience to your daily living.

At Pride, your safety is important to us. Please read and follow all of the instructions in this manual before you attempt to operate your power chair for the first time. These instructions were produced for your benefit. Your understanding of these instructions is essential for the safe operation of your new power chair.

Pride is not liable for damage to property or personal injury arising out of unsafe use of a power chair. Pride is also not liable for any property damage or personal injury arising out of the failure of any person and or/user to following the instructions and recommendations set forth in this manual or any other instructions or recommendations contained in other power chair related literature issued by Pride or contained on the power chair itself.

This owner's manual is compiled from the latest specifications and product information available at the time of publication. We reserve the right to make changes as they become necessary. Any changes to our products may cause slight variations between the illustrations and explanations in this manual and the product you have purchased.

If you experience any problems with your power chair that you are unable to solve, or if you do not feel capable of safely following any of the instructions and/or recommendations as contained in this manual, please contact your authorized Pride provider for assistance.

Once you understand how to operate and take care of your power chair, we are certain that it will give you years of trouble-free service and enjoyment.

Information Exchange

We want to hear your questions, comments, and suggestions about this manual. We would also like to hear about the safety and reliability of your new power chair, and about the service you received from your authorized Pride provider.

Please notify us of any change of address, so we can keep you apprised of important information about safety, new products, and new options that can increase your ability to use and enjoy your power chair. Please feel free to contact us at the address below:

Pride Mobility Products Corporation
Attn: Customer Care Department
182 Susquehanna Avenue
Exeter, PA 18643-2694
customer care@pridemobility.com
800-424-8205

I . I N T R O D U C T I O N

Pride Owners Club

As an owner of a Pride product, you are invited to register your product's warranty and enroll in the Pride Owners Club. You may do so by filling out and returning your enclosed registration card or by visiting Pride's web site at www.pridemobility.com. As a registered member, each time you visit our site, you will have access to the most interactive and honest educational venue available today for people with mobility needs, their families, and friends.

From our home page, select "Owners Club" to enter a page dedicated to current and potential Pride product owners. You will gain access to interviews, stories, recreation ideas, daily living tips, product and funding information, and interactive message boards. These message boards invited you to communicate with other Pride customers as well as Pride representatives who are available to assist you with any questions or concerns you may have.

My Authorized Pride Provider Is:

Name: _____

Address: _____

Phone Number: _____

Purchase Date: _____

NOTE: If you ever lose or misplace your product registration card or your copy of this manual, contact us and we will be glad to send you a new one immediately.

II. SAFETY

SAFETY



WARNING! Do not operate your new power chair for the first time without completely reading and understanding this owner's manual.

Your power chair is a state-of-the-art life-enhancement device designed to increase mobility. Pride provides an extensive variety of products to best fit the individual needs of the power chair user. Please be aware that the final selection and purchasing decision regarding the type of power chair to be used is the responsibility of the power chair user, who is capable of making such a decision, and his/her healthcare professional (i.e., medical doctor, physical therapist, etc.).

The contents of this manual are based on the expectation that a mobility device expert has properly fitted the power chair to the user and has assisted the prescribing healthcare professional and/or the authorized Pride provider in the instruction process for the use of the product.

There are certain situations, including some medical conditions, where the power chair user will need to practice operating the power chair in the presence of a trained attendant. A trained attendant can be defined as a family member or care professional specially trained in assisting a power chair user in various daily living activities.

As you begin using your power chair during daily activities, you will probably encounter situations in which you will need some practice. Simply take your time and you will soon be in full and confident control as you maneuver through doorways, on and off of elevators, up and down ramps, and over moderate terrain.

Below are some precautions, tips, and other safety considerations that will help the user become accustomed to operating the power chair safely.

Modifications

Pride has designed and engineered your power chair to provide maximum mobility and utility. A wide range of accessories is available from your authorized Pride provider to further customize your power chair to better suit your needs and/or preferences. However, under no circumstances should you modify, add, remove, or disable any feature, part, or function of your power chair.



WARNING! Do not modify your power chair in any way not authorized by Pride. Unauthorized modifications may result in personal injury and/or damage to your power chair.

Pre-Ride Safety Check

Get to know the feel of your power chair and its capabilities. Pride recommends that you perform a safety check before each use to make sure your power chair operates smoothly and safely. See X. "Care and Maintenance."

Perform the following inspections prior to using your power chair:

- Check for proper tire inflation. Maintain **30-35 psi** in each tire (if equipped with pneumatic tires).
- Check all electrical connections. Make sure they are tight and not corroded.
- Check all controller connections to the electronics tray. Make sure they are secured properly.
- Check the brakes. See X. "Care and Maintenance."
- Check battery charge. See IX. "Batteries and Charging."

II. SAFETY

NOTE: If you discover a problem, contact your authorized Pride provider for assistance.

Weight Limitations

Your power chair is rated for a maximum weight capacity. Please refer to the specifications table for this limit.



WARNING! Exceeding the weight capacity voids your warranty and may result in personal injury and/or damage to your power chair. Pride will not be held responsible for injuries and/or property damage resulting from failure to observe weight limitations.

WARNING! Do not carry passengers on your power chair. Carrying passengers on your power chair may result in personal injury and/or property damage.

Tire Inflation

If your power chair is equipped with pneumatic tires, you should check or have the air pressure checked at least once a week. Proper inflation pressures will prolong the life of your tires and help ensure the smooth operation of your power chair.



WARNING! It is important that 30-35 psi tire pressure be maintained in pneumatic tires at all times. Do not underinflate or overinflate your tires. Low pressure may result in loss of control, and overinflated tires may burst. Failure to maintain 30-35 psi tire pressure in pneumatic tires at all times may result in tire and/or wheel failure, causing serious personal injury and/or damage to your Jazzy.

WARNING! Inflate your power chair drive tires from a regulated air source with an available pressure gauge. Inflating your tires from an unregulated air source could overinflate them, resulting in a burst tire and/or personal injury.

Incline Information

More and more buildings have ramps with specified degrees of inclination, designed for easy and safe access. Some ramps may have turning switchbacks (180-degree turns) that require you to have good cornering skills on your power chair.

- Proceed with extreme caution as you approach the downgrade of a ramp or other incline.
- Take wide swings with your power chair's front wheels around any tight corners. If you do that, the power chair's rear wheels will follow a wide arc, not cut the corner short, and not bump into or get hung up on any railing corners.
- When driving down a ramp, keep the power chair's speed adjustment set to the slowest speed setting to ensure a safely controlled descent. See VIII. "Operation."
- Avoid sudden stops and starts.

When climbing an incline, try to keep your power chair moving. If you must stop, start up again slowly and then accelerate cautiously. When driving down an incline, set your power chair to the slowest setting and drive in the forward direction only. If your power chair starts to move down the incline faster than you anticipated or desired, allow it to come to a complete stop by releasing the joystick, then push the joystick forward slightly to ensure a safely controlled descent.

II. SAFETY

WARNING! When climbing an incline, do not zigzag or drive at an angle up the face of the incline. Drive your power chair straight up the incline. This greatly reduces the possibility of a tip or a fall. Always exercise extreme caution when negotiating an incline.

WARNING! You should not travel up or down a potentially hazardous incline (i.e., areas covered with snow, ice, cut grass, or wet leaves).



WARNING! When on any sort of an incline or decline, never place the power chair in freewheel mode while seated on it or standing next to it. Doing so may result in personal injury and/or damage to your power chair.

WARNING! Never travel down an incline backwards. This may result in personal injury.

WARNING! Even though your power chair is capable of climbing slopes greater than those illustrated in figure 1, do not, under any circumstances, exceed the incline guidelines or any other specifications presented in this manual. Doing so could cause instability in your power chair, resulting in personal injury and/or damage to your power chair.

In compliance with the Americans with Disabilities Act of 1990, all handicap public access ramps are required to have a maximum slope of 5°. Therefore, Pride recommends that the maximum slope of an incline you attempt to safely ascend or descend on your power chair does not exceed 5°. See figure 1.



WARNING! Any attempt to climb or descend a slope steeper than 5° may put your power chair in an unstable position and cause it to tip, resulting in personal injury.

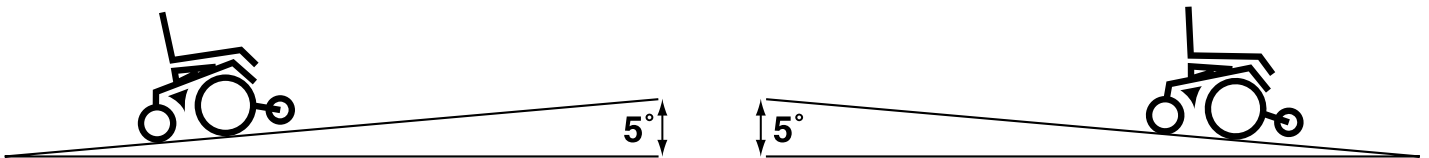


Figure 1. Maximum Safe Angle (Ascending and Descending)

Braking Information

Your power chair is equipped with two powerful brake systems:

1. Regenerative — uses electricity to rapidly slow the vehicle when the joystick returns to the center/stop position.
2. Disc Park Brake — activates mechanically after regenerative braking slows the vehicle to near stop, or when power is removed from the system for any reason.

Cornering Information

While your power chair is equipped with rear caster wheels in back and anti-tip wheels in front, excessively high cornering speeds can still create the possibility of tipping. Factors which affect the possibility of tipping include, but are not limited to: cornering speed, steering angle (how sharply you are turning), uneven road surfaces, inclined road surfaces, riding from an area of low traction to an area of high traction (such as passing from a grassy area to a paved area — especially at high speed while turning), and abrupt directional changes. High cornering speeds are not recommended. If you feel that you may tip over in a corner, reduce your speed and steering angle (i.e., lessen the sharpness of the turn) to prevent your power chair from tipping.

II. SAFETY



WARNING! When cornering sharply, reduce your speed. This greatly reduces the possibility of a tip or fall. To avoid personal injury and/or property damage, always exercise common sense when cornering.

Outdoor Driving Surfaces

Your power chair is designed to provide optimum stability under normal driving conditions—dry, level surfaces composed of concrete, blacktop, or asphalt. However, Pride recognizes that there will be times when you will encounter other surface types. For this reason, your power chair is designed to perform admirably on packed soil, grass, and gravel. Feel free to use your power chair safely on lawns and in park areas.

- Reduce your power chair's speed when driving on uneven terrain and/or soft surfaces.
- Avoid tall grass that can entangle the running gear.
- Avoid loosely packed gravel and sand.
- If you feel unsure about a driving surface, avoid that surface.

Freewheel Mode

Your power chair is equipped with a manual freewheel lever to allow for manual maneuverability by a trained attendant. For more information about how to place your power chair into and out of freewheel mode, see IV. "The Jet 1 ATS."



WARNING! Do not use your power chair in freewheel mode without an attendant present. Personal injury may result.

WARNING! Do not attempt to personally place your power chair in freewheel mode while seated on it. Personal injury may result. Ask an attendant for assistance if necessary.

WARNING! Do not place your power chair in freewheel mode while on an incline. The chair could roll uncontrollably on its own, causing personal injury.

Stationary Obstacles (Steps, Curbs, etc.)

Proceed with extreme caution when driving near raised surfaces, unprotected ledges and/or drop-offs (curbs, porches, stairs, etc.). The correct method for approaching a curb is illustrated in figure 1a.

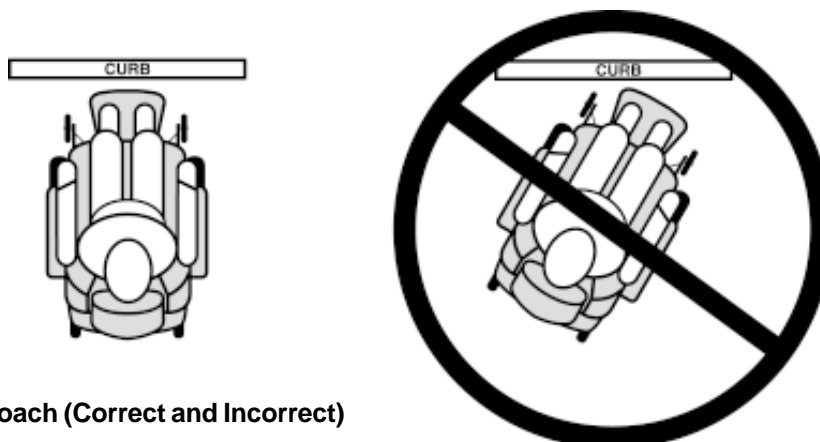


Figure 1a. Curb Approach (Correct and Incorrect)

II. SAFETY



WARNING! Do not attempt to have your power chair climb or descend an obstacle that is higher than two inches unless you have the assistance of an attendant.

WARNING! Do not attempt to have your power chair proceed backward down any step, curb, or other obstacle. This may cause the power chair to tip and cause personal injury.

Public Streets and Roadways



WARNING! You should not operate your power chair on public streets and roadways. Be aware that it may be difficult for traffic to see you when you are seated on your power chair. Obey all local pedestrian traffic rules. Wait until your path is clear of traffic, and then proceed with extreme caution.

Stairs and Escalators

Power chairs are not designed to travel up or down stairs or escalators. Always use an elevator.



WARNING! Never use your power chair to negotiate steps or escalators. You may cause injury to yourself and to others and/or damage your power chair.

Doors

- Determine if the door opens toward or away from you.
- Drive your power chair gently and slowly forward to push the door open. Or drive your power chair gently and slowly backward to pull the door open.

Elevators

Modern elevators have a door edge safety mechanism that, when pushed, reopens the elevator door(s).

- If you are in the doorway of an elevator when the door(s) begin to close, push on the rubber door edge or allow the rubber door edge to contact the power chair and the door will reopen.
- Use care that pocketbooks, packages, or power chair accessories do not become caught in elevator doors.

EMI & RFI

Laboratory tests performed by the Food and Drug Administration (FDA) have shown that radio waves can cause unintended motion of electric mobility vehicles. Radio waves are a form of electromagnetic energy (EM). When EM adversely affects the operation of an electronic device, it is called Electromagnetic Interference (EMI) or Radio Frequency Interference (RFI). For more information, see III. "EMI/RFI."

Lift/Elevation Products

If you will be traveling with your power chair, you may find it necessary to use a lift/elevation product to aid in transportation. Pride recommends that you closely review the instructions, specifications, and safety information set forth by the manufacturer of the lift/elevation product before using that product.

Motor Vehicle Transport

Currently, there are no standards approved for tie-down systems in a moving vehicle of any type to transport a person while seated in a power chair.

II. SAFETY

Transfers

Transferring onto and off of your power chair requires a good sense of balance. Always have an attendant or healthcare professional present while learning to properly transfer yourself.

To eliminate the possibility of injury, Pride recommends that you or a trained attendant perform the following tasks before attempting a transfer:

- Turn the power off. See VIII. “Operation.”
- Ensure your power chair is not in freewheel mode. See IV. “The Jet 1 ATS.”
- Turn both caster wheels toward the transfer destination to improve power chair stability during transfer.
- Make sure both armrests are flipped up or removed from your power chair.
- Flip the footrest up, or move the leg rests aside; this will help to keep your feet from getting caught on the footrest or the leg rests during the transfer.
- Reduce the distance between your power chair and the object you are transferring onto.

WARNING! Before transferring, position yourself as far back as possible in the power chair seat to prevent the power chair from tipping forward during transfer and causing injury.



WARNING! Avoid using your armrests for weight bearing purposes. Such use may cause the power chair to tip and cause personal injury.

WARNING! Avoid putting all of your weight on the footrest. Such use may cause the power chair to tip and cause personal injury.

Positioning Belts

Your authorized Pride provider, therapist(s), and other healthcare professionals are responsible for determining your requirement for a positioning belt in order to operate your power chair safely.

WARNING! If you require a positioning belt to safely operate your power chair, make sure it is fastened securely. Serious personal injury may result if you fall from the power chair.



WARNING! The positioning belt is not designed for use as a seat belt in a motor vehicle. Nor is your Jazzy suitable for use as a seat in any vehicle. Anyone traveling in a vehicle should be properly belted into seats approved by the vehicle manufacturer.

WARNING! Do not sit on your power chair while it is in a moving vehicle. Personal injury and/or property damage may result.

WARNING! Always be sure your power chair and its batteries are properly secured when it is being transported. Failure to do so may result in personal injury and/or damage to your power chair.

II. SAFETY

Inclement Weather Precautions



WARNING! Pride recommends that you do not operate your power chair in icy or slippery conditions or on salted surfaces (i.e., walks or roads). Such use may adversely affect the performance and safety of your power chair, resulting in an accident and personal injury.

WARNING! Do not expose your power chair to any type of moisture at any time (rain, snow, mist, or wash). Such exposure can damage your power chair. Never operate your power chair if it has been exposed to moisture until it has dried thoroughly.

Reaching and Bending

Never reach, lean, or bend while driving your power chair. If it is absolutely necessary to reach, lean, or bend while seated on your power chair, it is important to maintain a stable center of gravity and keep the power chair from tipping. Pride recommends that the power chair user determine his/her personal limitations and practice bending and reaching in the presence of a qualified healthcare professional.



WARNING! Do not bend, lean, or reach for objects if you have to pick them up from the floor by reaching down between your knees. Movements such as these may change your center of gravity and the weight distribution of the power chair. This may cause your power chair to tip, possibly resulting in personal injury. Keep your hands away from the tires when driving.

Batteries

In addition to following the warnings below, be sure to comply with all other battery handling information. For more information about your power chair's batteries, see IX. "Batteries and Charging."



WARNING! Power chair batteries are heavy. See specifications table. If you are unable to lift that much weight, be sure to get help. Lifting beyond your capacity can result in personal injury.

WARNING! Battery posts, terminals, and related accessories contain lead and lead compounds. Wash hands after handling.

WARNING! Always protect the batteries from freezing and never charge a frozen battery. Charging a frozen battery may result in personal injury and/or damage to the battery.

Preventing Unintended movement



WARNING! If you anticipate being seated in a stationary position for an extended period of time, turn off the power. This will prevent unexpected motion from inadvertent joystick contact. This will also eliminate the possibility of unintended chair movement from electromagnetic (EM) sources. Failure to do so may result in personal injury.

Prescription Drugs/Physical Limitations

Users must exercise care and common sense when operating a power chair. This includes awareness of safety issues when taking prescribed or over-the-counter drugs or when the user has specific physical limitations.



WARNING! Consult your physician if you are taking prescribed or over-the-counter medication or if you have certain physical limitations. Some medications and limitations may impair your ability to operate your power chair in a safe manner.

II. SAFETY

Alcohol

The power chair user must exercise care and common sense when operating his/her power chair. This includes awareness of safety issues while under the influence of alcohol.



WARNING! Do not operate your power chair while you are under the influence of alcohol, as this may impair your ability to operate your power chair in a safe manner.

Removable Parts



WARNING! Do not attempt to lift or move a power chair by any of its removable parts. Personal injury and/or damage to the power chair may result.

III. EMI / RFI

Laboratory tests performed by the Food and Drug Administration (FDA) have shown that radio waves can cause unintended motion of Power chairs. Radio waves are a form of electromagnetic energy. When this energy adversely affects the operation of an electronic device, it is called *Electromagnetic Interference (EMI)* or *Radio Frequency Interference (RFI)*.



WARNING! Radio waves may interfere with the control of power chairs.

EMI-RFI—FREQUENTLY ASKED QUESTIONS (FAQs)

The following FAQs summarize what you should know about EMI-RFI. Use this information to minimize the risk that EMI-RFI will affect your power chair.

Where do radio waves come from?

Radio waves are emitted from the antennas of cellular phones, mobile two-way radios (such as walkie-talkies), radio stations, TV stations, amateur radio (HAM) transmitters, wireless computer links, microwave sources, and paging transmitters. Radio waves are a form of electromagnetic energy (EM). Because electromagnetic energy is more intense closer to the transmitting antenna (source of emission), the EM fields from two-way radios are of special concern to power chair users.

If my power chair is affected by EMI-RFI, what kind of motion should I expect?

This is hard to predict. It would depend on a number of factors:

- Strength of the radio waves
- Construction of the power chair
- Position of the power chair (whether it is on level ground or on an incline)
- Whether or not the power chair is in motion

An affected power chair's movement can be erratic. It may move by itself or come to a sudden stop. Furthermore, it is possible for EMI-RFI to unexpectedly release the brakes on a power chair. Some intense sources of EMI-RFI can even damage the control system of your Jet 1.

Is there any way to know for sure whether radio waves are responsible for the unintended motion of my power chair?

Unfortunately, interference from radio wave sources may be difficult to recognize, since the signals from these sources are invisible and may be intermittent. However, the FDA recommends that you report all incidents of unintended motion or brake release to the power chair manufacturer, and if possible, note whether there was a radio wave source nearby at the time of the incident.

Has anyone been hurt from erratic, unintended motion of power chairs?

The FDA has reports of injuries that resulted from the apparent uncontrolled motion of power chairs. However, it is unclear how many of these incidents were actually caused by radio wave interference.

III. EMI / RFI

Are all power chairs susceptible to EMI-RFI?

Each make and model of chair differs in its ability to resist electromagnetic interference. That is, each has a particular level of “immunity” to interference, measured in volts per meter (V/m). A higher immunity level offers greater protection. In other words, a power chair with a high immunity level is less likely to be affected by a strong radio source than one with a low immunity level.

What is the FDA doing about the problem?

The FDA has written to the manufacturers of power chairs and requested that they test their new products to be sure that they provide a reasonable degree of immunity against EMI-RFI. The letter states that power chairs should have an immunity of at least 20 V/m. This provides a reasonable degree of protection against the common sources of EMI-RFI.

The FDA has also requested that these manufacturers clearly label their products with the immunity level, or state that the immunity level is not known. The labeling and informational material supplied with the power chair must explain what the immunity level means, and the labeling or informational material must warn users about the possibility of EMI-RFI and how to avoid it. In addition, the FDA has recommended that manufacturers establish an educational program to inform users of power chairs, and their caregivers, about the problems associated with EMI-RFI, and the actions they can take to minimize the risk. The FDA has requested that manufacturers of power chairs have implemented these actions by December 2, 1994.

What can I do to find out if my power chair is likely to be Affected by EMI-RFI?

If you’ve had your power chair for a long time and haven’t experienced any unintended motion, it is not likely that you will have problems in the future. But it is always possible that problems could arise if you are close to a source of radio waves. Therefore, it is very important to be alert to this possibility. The Jet 1 meets or exceeds an immunity level of at least 20 V/m.

What can I do to reduce the risk that my power chair could be Affected by EMI-RFI?

Here are some precautions you can take:

- Do not turn on or use hand-held personal communications devices, such as citizens band (CB) radios and cellular phones, while the power chair is ON.
- Be aware of nearby transmitters, such as radio or TV stations and hand-held or mobile two-way radios, and try not to come close to them. For example, if you are in a power chair with an immunity level of 20 V/m, you should remain at least three feet from a hand-held two-way radio and ten feet from a mobile two-way radio.
- Be aware that adding accessories and/or components, or modifying the power chair, may make it more susceptible to interference from radio wave sources. There is no easy way to evaluate their effect upon the overall immunity of the power chair.

What should I do if my power chair moves unexpectedly?

If unintended motion or brake release occurs, turn the power chair OFF as soon as it is safe to do so.

If my power chair moves unexpectedly, where should I report this?

Call Pride Mobility Products Corporation at (570) 655-5574 to report the incident.

IV. THE JET 1

Your Jet 1 has two main assemblies: the seat and the power base. See figures 1b and 2. Typically, the seating assembly includes the armrests, seat, and joystick controller. Your Jet 1 seat may also have some optional accessories attached to it, such as a basket, a cane/crutch holder, or a cup holder. See XI. “Optional Accessories.”

The power base is the heart of your Jet 1. The power base assembly includes a frame, two drive wheels, two anti-tip wheels, two caster wheels, controller harnesses and a body shroud.

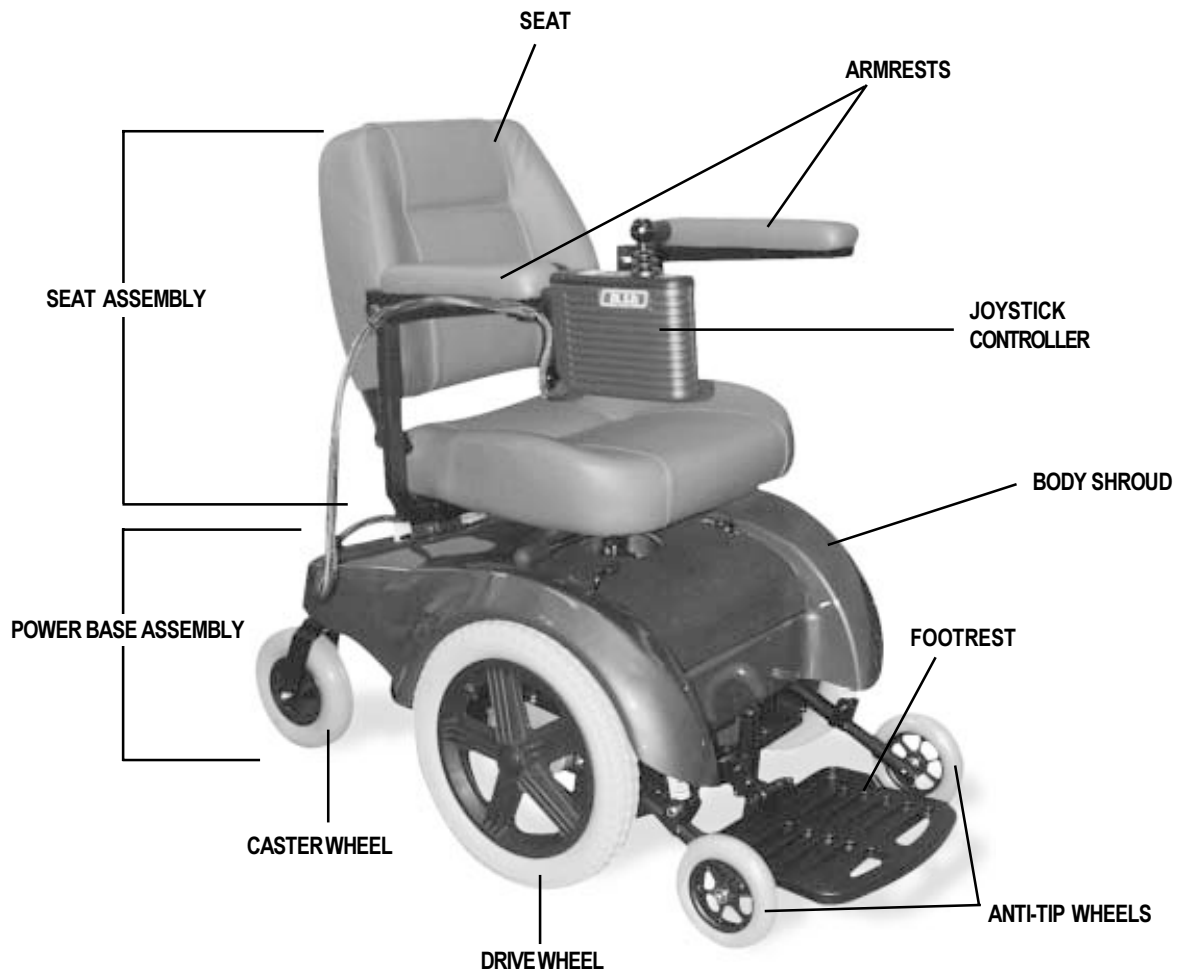


Figure 1b. The Jet 1

IV. THE JET 1

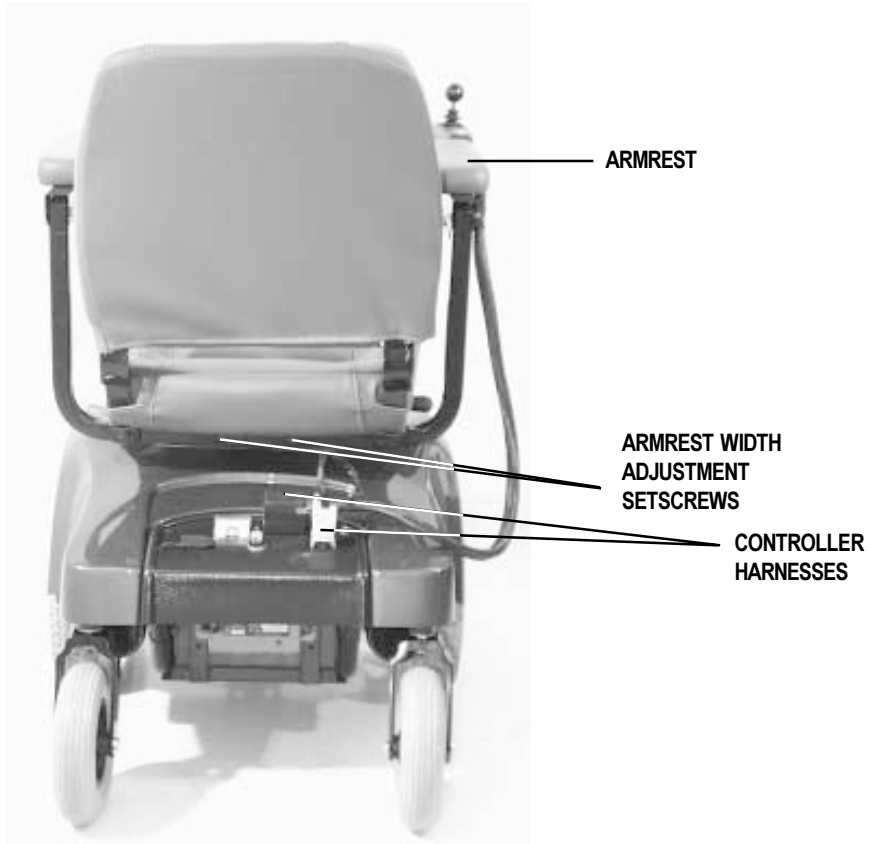


Figure 2. Rear View



Figure 3. Battery Charger Cord

IV. THE JET 1

Specifications	
Suspension:	Full suspension with Active-Trac
Drive Wheels:	14 in., pneumatic, center mounted (solid tires are optional)
Rear Casters:	8 in., solid, rear articulating
Anti-Tip:	6 in., solid, front mounted
Max. Speed:	4.5 mph
Brakes:	“Intelligent Braking,” electronic regenerative, disc park brake
Ground Clearance:	3.5 in.
Turning Radius:	19.5 in.
Overall Size:	Length: 38.5 in. Width: 23 in.
Seating Options:	Medium-back
Drive Train:	Two motor, mid wheel
Batteries:	Two 12-volt, NF-22 batteries
Range:	Up to 25 miles
Battery Charger:	Onboard
Electronics:	50-amp Dynamic controller
Weight Capacity:	250 lbs.
Base:	81 lbs.
Seat:	29 lbs.
Batteries:	38 lbs. each
Warranty:	Five-year limited warranty on frame One-year warranty on electronics One-year warranty on drive motors

IV. THE JET 1

UTILITY TRAY

The utility tray is located at the rear of your Jet 1. The utility tray is exposed through the body shroud. The utility tray consists of the battery charger power outlet, the ammeter, the main circuit breaker, and the controller harness connectors.

- **Ammeter:** The ammeter displays the charger's current output in amps. See figure 4. For more information, see IX. "Batteries and Charging."
- **Battery charger power outlet:** This is where the battery charger power cord is to be plugged in. See figure 4. The battery charger power cord is not attached to the unit at all times. See figure 3. For more information, see IX. "Batteries and Charging."
- **Main circuit breaker:** The main circuit breaker is a safety feature built into your Jet 1. See figure 4. When the batteries and the motors are heavily strained (e.g., from excessive loads), the main circuit breaker will trip to prevent damage to the motors and the electronics. If the circuit trips, allow your Jet 1 to "rest" for approximately one minute. Next, push in the circuit breaker reset button, turn on the joystick controller, and continue normal operation. If the main circuit breaker continues to trip repeatedly, contact your authorized Pride provider.
- **Controller harness connectors:** This is where the joystick connects to the motors, the batteries, and the charger. Since your Jet 1 is equipped with a Dynamic controller, there are two connectors on the tray. See figure 4.

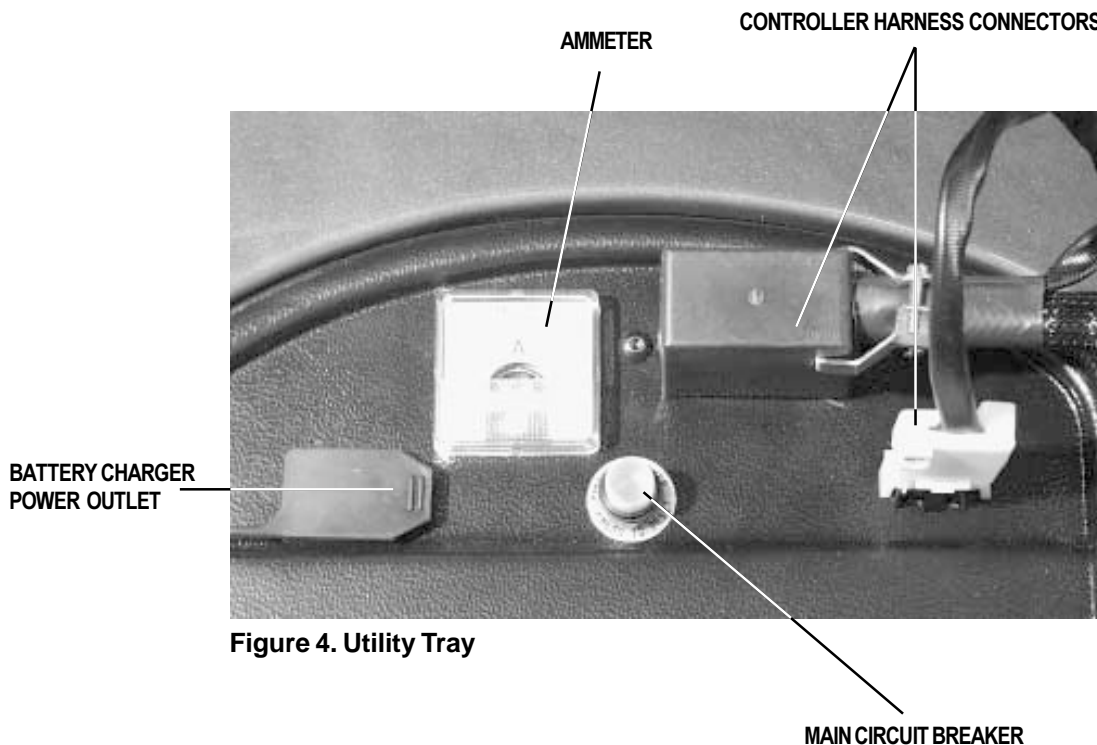


Figure 4. Utility Tray

IV. THE JET 1

FREEWHEEL LEVERS

For your convenience, your Jet 1 is equipped with two freewheel levers. See figures 5 and 6. These levers allow you to disengage the drive motors and maneuver the chair manually.



WARNING! Do not use your power chair while the drive motors are disengaged unless you are in the presence of an attendant! Do not disengage the drive motors when your Jet 1 is on an incline. The chair could roll down on its own, causing injury!

To engage or disengage the freewheel feature:

1. Turn the freewheel levers inward to disengage the drive motors. See figure 5.
2. Turn the freewheel levers outward to engage the drive motors. See figure 6.



CAUTION! It is important to remember that when your power chair is in freewheel mode, the braking system is disengaged.

ACTIVE-TRAC SYSTEM

Your Jet 1 is equipped with an Active-Trac System (ATS). ATS is a suspension system designed to make your Jet 1 capable of traversing different types of terrain and obstacles while maintaining smooth operation. With ATS, the front anti-tip wheels work in conjunction with the motor suspension to help you maneuver your Jet 1 over obstacles in excess of three inches in height.

As the front anti-tip wheels come in contact with an obstacle, the front anti-tip wheel assembly is drawn upward. At the same time, the motors are moved downward. This operation allows the motors to push the Jet 1 over an obstacle while greatly limiting the possibility of your power chair becoming “hung up” on the obstacle.

ATS also helps in day-to-day operating conditions. For instance, when you release the joystick, your Jet 1 begins to slow down. As the chair slows down, the front anti-tip wheels will automatically drop toward the ground. This will reduce the forward tip that is typically encountered as center-wheel-drive chairs slow and come to a complete stop.

If a lever is difficult to move in either direction, rock your Jet 1 back and forth slightly. The lever should then move to the desired position.



Figure 5. Drive Disengaged

FREEWHEEL LEVERS

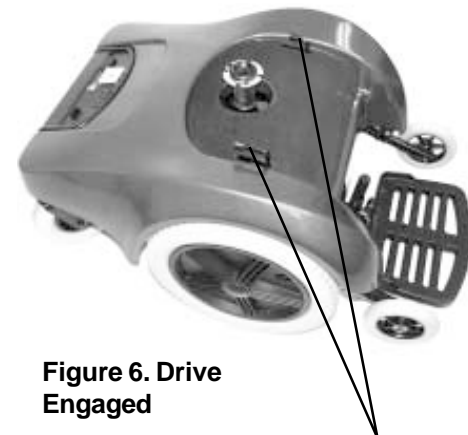


Figure 6. Drive Engaged

FREEWHEEL LEVERS

V. ASSEMBLY

To reduce the possibility of shipping damage, your Jet 1's seat is removed from the power base, and the seatback is removed from the seat assembly before your Jet 1 is shipped. The joystick may also have been removed from the armrest. The following is a set of instructions to help you quickly and easily prepare your Jet 1 for immediate use.

Required Tool: Phillips screwdriver

Parts List	Quantity
Phillips-head seatback mounting screws	4
Expandable arm	1
Expandable arm with joystick	1
Seatback	1
8-in. wire ties	4

SEATBACK ASSEMBLY

The seatback mounts to the back hinges with four (4) Phillips-head screws. To get to the hinges, lift up the reusable fasteners that cover them in the back. See figure 7. You may install the seatback before or after you install the seat to the power base.

To mount the seatback to the hinge:

1. Line up the hinges with the holes in the seatback. See figure 7.
2. Insert the seatback mounting screws through the hinge and into the seatback.
3. Tighten the four screws.



Figure 7. Seatback Assembly

V. ASSEMBLY

SEAT INSTALLATION



WARNING! Do not pick up the seat frame by the armrests. They are free to pivot, and you may lose control of the seat if they do so, resulting in personal injury or damage to the chair.

To install the seat:

1. Position the seat post above the seat tower. See figures 8 and 9.
2. Push the seat down until the latch engages. See figure 9.
3. Plug the controller harness into the connector on the utility tray. See figure 10.

JOYSTICK INSTALLATION

If your Jet 1 is equipped with a Dynamic joystick controller (see figure 11), it may have been shipped without the joystick installed in the armrest.

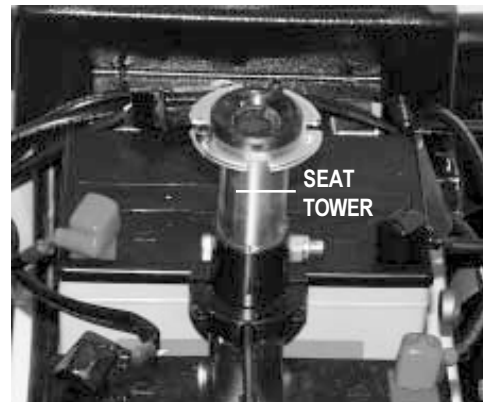


Figure 8. Seat Tower



Figure 9. Seat Installation



Figure 10. Controller Harnesses

PLUG IN CONTROLLER HARNESSES



Figure 11. Dynamic Joystick Controller

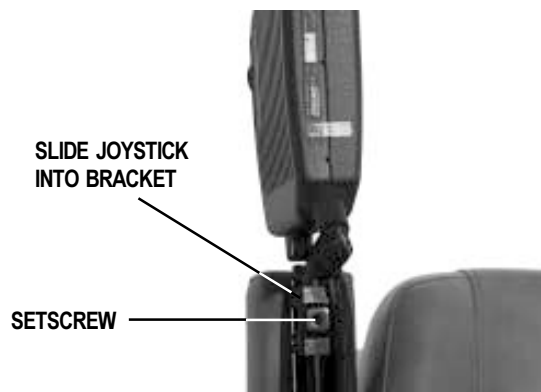


Figure 12. Joystick and Bracket

VI. COMFORT ADJUSTMENTS

To install the joystick controller:

1. Use a 3/16-in. hex key to loosen the setscrew. See figure 12.
2. Slide the joystick mounting bracket into or out of the armrest to the desired position.
3. Retighten the setscrew.



CAUTION! Do not place the controller cable so that it can be pinched in the seat frame or the power base frame.

After you have become familiar with your Jet 1's operation, you may find the need to adjust the seat. There are some adjustments you can make to increase your comfort such as seat height, armrest width, armrest angle, footrest height and angle, joystick extension, footrest height, and foot rest angle.



WARNING! If your power chair was configured at your authorized Pride provider or service center, please consult your health care professional before changing the seat position or making any other adjustment. Some adjustments may degrade your power chair's performance and safety by changing its center of gravity.

SEAT HEIGHT

You can change the seat height manually.

To change the seat height:

1. Remove the seat. See VII. "Disassembly."
2. Remove the nut and bolt from the seat tower. See figure 13.
3. Raise or lower the seat tower to the desired position.
4. Install the nut and bolt into the seat tower.
5. Install the seat.

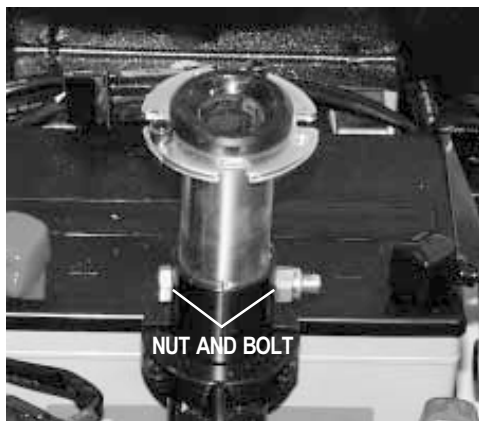


Figure 13. Seat Tower Nut and Bolt

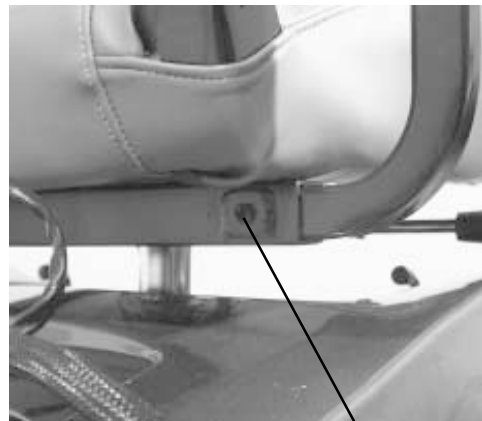


Figure 14. Armrest Width

LOOSEN SETSCREW
TO MOVE ARMREST

VI. COMFORT ADJUSTMENTS

ARMREST WIDTH

To change the armrest width:

1. Locate the two setscrews on the armrest receiver bracket. See figure 14.
2. Loosen the setscrews and slide the armrests in or out to the desired width.
3. Tighten the setscrews.

ARMREST ANGLE

You can adjust the armrest angle to fit your specific needs. See figure 15.

To change the armrest angle:

1. Lift the armrest straight up so that it is perpendicular to the floor.
2. Use a 1/2-in. wrench to loosen the jam nut. See figure 15.
3. Use a 1/2-in. wrench to loosen the adjusting screw.
4. Turn the screw clockwise to lower the front of the armrest, or turn the screw counterclockwise to raise the front of the armrest.
5. Lock the adjusting screw into place by tightening the jam nut.

ARMREST HEIGHT (OPTIONAL)

Your Jet 1 may be equipped with height-adjustable armrests.

To change the armrest height:

1. Loosen the knob located underneath each armrest.
2. Raise or lower the armrests to the desired height.
3. Tighten the knobs.

JOYSTICK EXTENSION

The joystick control can easily slide out from the armrest or in toward the armrest.

To extend the joystick:

1. Use a 5-mm hex key to loosen the setscrew. See figure 16.
2. Slide the joystick mounting bracket into or out of the armrest to the desired position.
3. Tighten the setscrew by turning the hex key clockwise.

FOOTREST HEIGHT

The footrest height is easily adjusted, in one-inch increments, to one of six different heights.

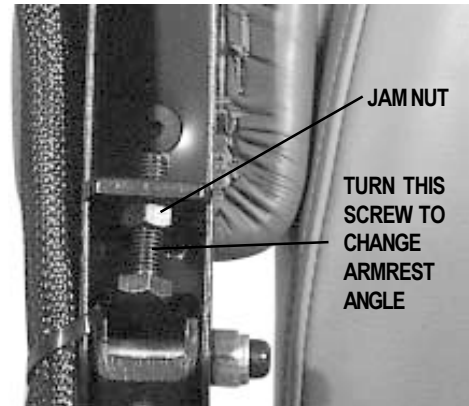


Figure 15. Armrest Angle



Figure 16. Joystick Extension



Figure 17. Footrest Height

REMOVE THESE NUTS AND BOLTS TO RAISE OR LOWER THE FOOTREST

VI. COMFORT ADJUSTMENTS

To raise or lower the footrest:

1. Remove the two 7/16-in. bolts and their nuts from the footrest. See figure 17.
2. Raise or lower the footrest to the desired height.
3. Install and tighten the two 7/16-in. bolts and nuts.

FOOTREST ANGLE

You can adjust the angle of the footrest with a 7/32-in. hex key and a 1/2-in. box or open-end wrench. See figure 18.

To adjust the footrest angle:

1. Loosen the jam nut.
2. Turn the setscrew clockwise to lower the front of the footrest.
3. Turn the setscrew counterclockwise to raise the front of the footrest.
4. Tighten the jam nut.

SWING-AWAY FOOTRESTS OPTION

Swing-away Footrests (SFRs) are an option. They enable you to move the footrests to the side before getting on or off your Jet 1.

To move the SFRs:

1. Push in the release lever. See figure 19.
2. Move the SFRs out.

ELEVATING LEG RESTS OPTION

Elevating Leg Rests (ELRs) offer an infinite number of adjustments, within their range of movement, for the leg angle and a footrest adjustment range of 12–19 inches.

To adjust the ELR angle:

1. Press the release lever. See figure 20.
2. Move the leg rest to the desired angle.

To adjust the ELR footrest height:

1. Remove the two screws from the side of each leg rest extension. See figure 21.
2. Loosen the bolt on the side of each leg rest extension.
3. Slide the leg rest in or out to the desired length.
4. Tighten the bolt and install the two screws on each leg rest extension.

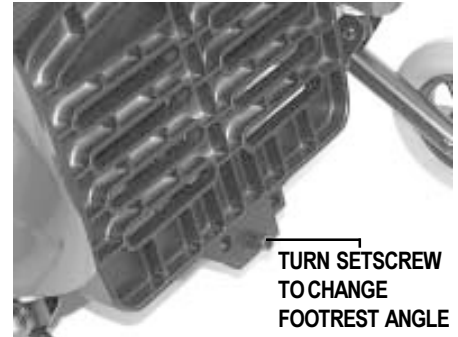


Figure 18. Footrest Angle



Figure 19. Swing-Away Footrests



Figure 20. Elevating Leg Rests



Figure 21. Elevating Leg Rests

VII. DISASSEMBLY

SEAT REMOVAL

You may wish to remove the seat when transporting your Jet 1. See figure 22.

To remove the seat:

1. Turn off the power.
2. Make sure your Jet 1 is not in freewheel mode.
3. Unplug the main wire harness behind the seat.
4. Push the lever located underneath the seat toward the front of the seat. If the joystick controller is on the right, swivel the seat clockwise and then pull the seat upward. If the joystick controller is on the left, swivel the seat counterclockwise and then pull the seat upward.



Figure 22. Removing the Seat

BODY SHROUD REMOVAL

The body shroud is a one-piece, molded plastic body that covers the power base frame. It helps protect the Jet 1 components from the environment. You must remove the body shroud to change the batteries and check the cable connections.

To remove the body shroud:

1. Turn off the power.
2. Make sure your Jet 1 is not in freewheel mode. See IV. “The Jet 1.”
3. Unplug the controller wiring harness.
4. Remove the seat.
5. Lift the body shroud straight up. The body shroud is attached to the metal frame by reusable fasteners. The body shroud should lift up easily.



WARNING! Power chair batteries are heavy. See specifications table. If you are unable to lift that much weight, be sure to get help. Lifting beyond your capacity can result in personal injury.

BATTERY REMOVAL

To remove the batteries:

1. Turn off the power.
2. Disconnect the controller harness.
3. Remove the seat and lift off the body shroud.
4. Remove the battery post caps (both red and black).
5. Unscrew the wing nuts on (+) red battery terminals, one at a time.
6. Remove the (+) red battery cables from the battery posts; be sure to secure them away from the batteries.
7. Loosen the wing nuts on (-) black battery terminals.
8. Remove the (-) black cables and secure them away from the batteries.
9. You can now remove the batteries from your Jet 1.

VIII. OPERATION

DYNAMIC DL-50 CONTROLLER

The DL-50 electronic controller is an integral electronic controller. All of the electronics necessary to operate the power chair are contained in one module. See figure 23.

The DL-50 consists of:

1. joystick
2. on/off push key
3. battery condition meter
4. speed control
5. off-board charger/programming socket
6. 9-pin connector
7. 3-pin charger inhibit connector
8. horn

Typically, the DL-50 is mounted to one of the armrests and is connected to the motors, batteries, and the onboard charger at the electronics tray.

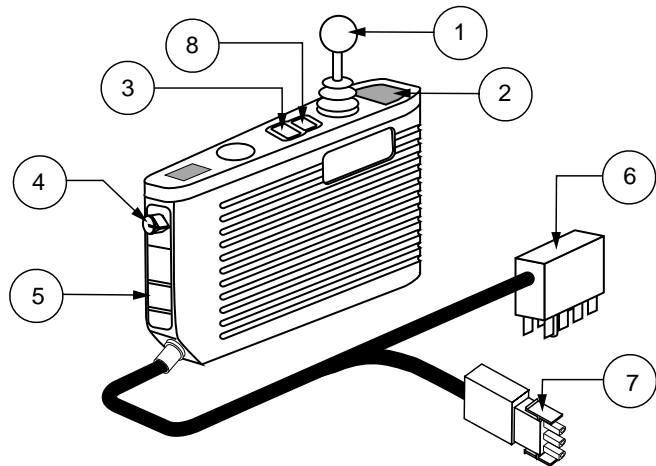


Figure 23. Dynamic DL-50 Controller

Joystick

The joystick controls the direction and speed of your power chair. When you move the joystick from the neutral (center) position, the electromagnetic brakes release and allow your power chair to move. The further you push the joystick from its neutral position, the faster your power chair moves. When you release the joystick and allow it to return to the neutral position, you engage the electromagnetic brakes. This causes your power chair to decelerate.



WARNING! If your power chair begins to move in an unexpected manner, immediately release the joystick. Unless the joystick is damaged, this action should stop your power chair.

On/Off Key

This is an on/off key located in front of the joystick which turns the DL-50 on and off.



WARNING! Unless faced with an emergency situation, do not use the on/off push button to stop the chair. This will cause the power chair to stop abruptly.

WARNING! Always turn the power off when you are stationary to prevent unexpected movement.

Battery Condition Meter

The battery condition meter is located behind the joystick. This is a six-segment, three-color illuminated display that indicates if the DL50 is turned on and also gives the battery status, the DL-50 status, and the electrical system status. All six red lights lit represents a full state-of-charge and a single red light lit represents lowest state-of-charge. A low state-of-charge warning is represented by the left-most light flashing on and off.

NOTE: Check your battery condition meter regularly and charge the batteries before they are completely discharged.

VIII. OPERATION

Speed Control

Sets the maximum speed of the power chair: clockwise to increase, counterclockwise to decrease.

NOTE: We recommend that the first few times you operate your power chair, you turn the speed control to the slowest setting until you become familiar with your new power chair.

Off-board Charger/Programming Socket

Your DL-50 may have a 3-pin socket on the front which enables you to use an off-board battery charger. The socket may also be used for reprogramming the controller by using a programmer, should this be necessary. Contact your authorized Pride provider for more information.

Horn

Activates the horn.

9-pin Connector

This connects the DL-50 controller to the power chair's batteries, motors, and motor brakes.

3-pin Charger Inhibit Connector

This connects the DL-50 to the onboard battery charger. This connection provides the DL-50 with an inhibit that disables it when the battery charger is on. During charging, the battery condition meter will flash briefly to indicate that the inhibit is active. The charger inhibit connector is coded with colored dots. The dots are positioned so that you align the flat side of the male connector with the flat side of the female connector before making the connection.



CAUTION! Failure to properly align the connectors can result in damage to the controller, the charger harness, and the connectors.

Joystick Out Of Neutral At Power Up

Your power chair joystick is equipped with Out Of Neutral At Power Up (OONAPU). If you power up the system and the joystick is not in the neutral (center) position, the battery gauge flashes rapidly in 2.5-second intervals. The battery gauge will flash as long as the joystick is out of the neutral position. If the joystick remains out of the neutral position for four seconds or more, then the battery gauge will display a fault. If this happens, then return the joystick to the neutral position and power off the DL-50. The next time you power on the DL-50, the code should be cleared.

NOTE: If this condition persists, contact your authorized Pride provider.

Thermal Rollback

The DL-50 electronic controller features a thermal rollback circuit. This circuit monitors the temperature of the motors, the power module, and the master remote. In the event these components become excessively hot (above 122° F), the power module reduces the motor voltage. For every degree above 122° F, the power module reduces the voltage by 5 volts. This reduces your speed and allows the components to cool down. When the temperature returns to a safe level, your power chair will resume its normal speed.

VIII. OPERATION

Troubleshooting

In addition to indicating battery charge, the lights also provide diagnostic information when the DL-50 detects problems with either the electrical system, or the DL-50 itself. These codes are displayed when all lights flash the number of times given by the fault code. The following table identifies the individual fault codes. If you get one of these codes, contact your authorized Pride provider.

Fault Codes

The system status LED is displayed within the on/off key. This LED is lit if the system is turned on. It also flashes in groups called flash codes, to indicate system faults. The table below identifies the individual fault codes. If your controller displays one of these codes, contact your authorized Pride provider.

FLASH CODE SEQUENCE	DIAGNOSIS	SOLUTION
•—•—•—	DX module fault	See your authorized Pride provider.
••—••—••—	DX accessory fault	See your authorized Pride provider.
•••—•••—	Left motor (or connection) fault	Check left motor wiring.
••••—••••—	Right motor (or connection) fault	Check right motor wiring.
•••••—•••••—	Left park brake fault	Check motor/brake wiring.
••••••—••••••—	Right park brake fault	Check motor/brake wiring.
•••••••—•••••••—	Low battery fault	Check that the battery wiring is secure.
••••••••—••••••••—	Over voltage fault	Check that the battery wiring is secure.
•••••••••—••••~••••~	CANL fault	See your authorized Pride provider.
••••••~••••~••••~	CANA fault	See your authorized Pride provider.
••••••~••••~••••~	Stall timeout	Turn unit on, then off.
••••••~••••~••••~	Module mismatch	See your authorized Pride provider.

NOTE: You must turn the controller off and then on again to reset the controller, even if the source of the fault is removed/corrected.

In the event of a fault, the system status LED displays diagnostic indications. Faults are encoded as follows: one (for a low battery voltage fault) to twelve (module mismatch) and are displayed by the LED flashing the number of times prescribed by the fault code. The flash sequence (one to twelve) is followed by a long off period (2 seconds). If more than one fault exists, then the fault having the highest priority is indicated. The controller must be turned off and then on again even if the source of the fault is removed. If you cannot resolve the problem, contact your authorized Pride provider.

IX. BATTERIES AND CHARGING

BATTERIES

Your Jet 1 uses two long-lasting, 12-volt, deep-cycle batteries. These batteries are sealed and maintenance-free. Since they are sealed, there is no need to check the electrolyte (fluid) level. Deep-cycle batteries are designed to handle a longer and deeper discharge. Though they are similar in appearance to automotive batteries, they are not interchangeable with them. Automotive batteries are not designed to handle a long, deep discharge, and they are unsafe for use in power chairs.



WARNING! Battery posts, terminals, and related accessories contain lead and lead compounds. Wash hands after handling.

WARNING! Always protect batteries from freezing temperatures and never charge a frozen battery. This damages the battery and may cause personal injury. Attempting to charge a battery in freezing conditions does not prevent a battery from freezing.

CHARGING THE BATTERIES

The battery charger is essential in providing long life for your Jet 1's batteries. See figure 24. The battery charger is designed to optimize your Jet 1's performance by charging the batteries safely, quickly, and easily. The charging system consists of the battery charger, the charger fuse, and the ammeter. See figures 24 and 25. The onboard charger is located underneath the utility tray. The ammeter is located on the utility tray for easy viewing. The charger has an in-line fuse that protects the ammeter. The ammeter indicates the rate of charge necessary to fully recharge the batteries. It is also a good indication of whether or not the charger is working. The ammeter and the charger are only functional when the charger power cord is plugged into a wall outlet.



WARNING! Never use an extension cord to plug in your battery charger. Plug the charger directly into a properly wired standard wall outlet.

WARNING! You must recharge your Jet's batteries with the supplied onboard or the supplied off-board charging system. Do not use an automotive-type battery charger.



Figure 24. Battery Charger

BATTERY CHARGER
POWER OUTLET AMMETER

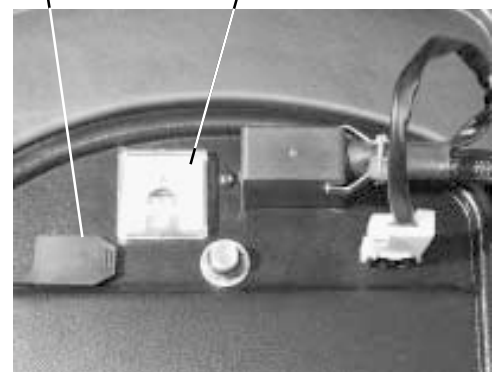


Figure 25. Utility Tray

IX. BATTERIES AND CHARGING

To charge the batteries using the onboard charger:

1. Position the rear of your Jet 1 close to a standard wall outlet.
2. Be certain the controller power is turned off and the freewheel levers are in the engaged position. See IV. “The Jet 1.”
3. Remove the battery charger cord from the back pouch of your Jet and plug it into the battery charger power outlet that is located on the utility tray. See figure 25.
4. Extend the charger power cord and plug it into the wall outlet. The Jet 1 incorporates an inhibit function that disables the power chair when the charger is plugged into a wall outlet.
5. The ammeter indicates how much charge is needed to fully recharge the batteries. Wait about a minute for the charger to warm up. The ammeter may move as high as 5.5 amps, then gradually move back down to 0 amps as the batteries charge.
6. We recommend you charge the batteries for 8 to 14 hours. As the batteries charge, the ammeter needle slowly drops to “zero” mark. When the batteries are fully charged, the needle vibrates on or about the “zero” mark on the ammeter scale.
7. When your Jet 1’s batteries are fully charged, you can unplug the power cord from the wall outlet, wind it up using the hook and loop strap, and place the cord back into the Jet 1’s back pouch.

OFF-BOARD CHARGER

If your Jet 1 is equipped with an off-board charger, follow these instructions.

1. Position your Jet 1 next to a standard wall outlet.
2. Be certain the controller power is turned off.
3. Remove the run plug located on the utility tray. This activates the inhibit function.
4. Plug the 3-pin extension cable to the charger, then into the utility tray connector.
5. Plug the charger cord into the wall outlet.
6. The ammeter indicates how much charge is needed to fully charge the batteries. Wait about a minute for the charger to warm up. The ammeter should move all the way up to 5 amps, then gradually move back down to 0 amps.
7. We recommend you charge the batteries for 8 to 14 hours. As the batteries charge, the ammeter needle will slowly drop to the “zero” mark. When the batteries are fully charged, the needle vibrates on or about the “zero” mark on the ammeter scale.
8. When your Jet 1’s batteries are fully charged, disconnect the charger cord from the wall outlet.
9. Disconnect the charger from the rear utility tray.
10. Reconnect the run plug into its connector.

NOTE: If the run plug is not reconnected, your Jet 1 will not run.

11. Replace the rear cover.

IX. BATTERIES AND CHARGING

BATTERY BREAK-IN

To break in new batteries for maximum efficiency:

1. Fully recharge any new battery prior to its initial use. This brings the battery up to about 90% of its peak performance level.
2. Operate your Jet 1 throughout the house and yard. Move slowly at first, and don't travel too far until you become accustomed to the controls and break in the batteries.
3. Give the batteries another full charge of 8 to 14 hours and operate your Jet 1 again. The batteries will now perform at over 90% of their potential.
4. After four or five charging cycles, the batteries will top off at 100% charge and last for an extended period.

BATTERIES AND CHARGING—FREQUENTLY ASKED QUESTIONS (FAQS)

How does the charger work?

The battery charger takes the standard wall outlet voltage of 120 VAC (alternating current) and converts it to 24 VDC (direct current). The Jet 1 batteries use direct current to run your power chair. When the battery voltage is low, the charger works harder to charge the battery. This is why the charging ammeter initially reads 5 or more amps. As the battery voltage approaches full charge, the charger does not work as hard to complete the charging cycle. This explains why the charging ammeter drops as it approaches a full charge. When the battery is fully charged, the amperage from the charger is nearly at zero. This is how the charger maintains a charge but does not overcharge the battery.

Can I use a different battery charger?

You should use the charger supplied with the Jet 1. It is the safest, most efficient tool to charge the batteries. We do not recommend using other types of chargers (e.g., an automotive battery charger). Your Jet 1's charger will not operate after the batteries have been discharged to nearly zero voltage. If this happens, call your authorized Pride provider for assistance.

How often must I charge the batteries?

Many factors come into play when deciding how often to charge the batteries. You may use your Jet 1 all day on a daily basis or you may not use it for weeks at a time.

■ Daily Use

If you use your Jet 1 on a daily basis, charge the batteries as soon as you are finished using your Jet 1 for the day. Your Jet 1 will be ready each morning to give you a full day's service. We recommend that you charge the batteries for 8 to 14 hours after each day's use. Do not charge the batteries for more than 24 hours at a charging cycle.

■ Infrequent Use

If you use your Jet 1 infrequently (once a week or less), you should charge the batteries at least once per week for 12 to 14 hours.

NOTE: Keep the batteries fully charged and avoid deeply discharging the batteries. Do not charge the batteries for more than 24 hours at a charging cycle.

IX. BATTERIES AND CHARGING

How can I get maximum range or distance per charge?

Rarely do you have an ideal driving situation such as smooth, flat, hard terrain with no wind, hills, or curves. More often you are presented with hills, sidewalk cracks, uneven and loosely packed surfaces, curves, and wind. All of these factors will affect the distance or running time per battery charge. Below are a few suggestions for obtaining the maximum range per charge:

- Always charge the batteries fully prior to any trip.
- Maintain 30–35 psi in the pneumatic drive wheels.
- Plan your trip in advance to avoid inclines if possible.
- Limit baggage weight to essential items.
- Try to maintain an even speed and avoid stop-and-go driving.

What type of battery should I use?

We recommend deep-cycle batteries that are sealed and maintenance free. Both AGM and Gel-Cell are deep-cycle batteries that are similar in performance.

Use these specifications to reorder deep-cycle batteries:

Battery Specifications	
Type:	Deep-cycle (AGM or Gel-Cell)
Size:	NF-22
Voltage:	12 volts each



WARNING! Corrosive chemicals contained in batteries. Use only AGM or Gel-Cell batteries to reduce the risk of leakage or explosive conditions.

Why do my new batteries seem weak?

Deep-cycle batteries employ a much different chemical technology from that used in car batteries, nickel-cadmium (nicads), or in other common battery types. Deep-cycle batteries are specifically designed to provide power, drain down their charge, and then accept a relatively quick recharge. Lead-acid batteries should be charged as often as possible. They do not have the “memory” that nickel-cadmium batteries have.

We work closely with our battery manufacturer to provide a battery that best suits your Jet 1’s specific demands. Fresh batteries arrive regularly at Pride and are promptly shipped with a full charge. During shipping, the batteries encounter temperature extremes that may influence their initial performance. Heat robs the charge from the battery, and cold slows the power available and extends the time needed to recharge the battery (just as with automotive batteries).

It might take a few days for the temperature of the battery to stabilize and adjust to its new ambient temperature. More importantly, it will take a few “charging cycles” (a partial drain—then a full recharge) to establish the critical chemical balance that is essential to the battery’s peak performance and long life. It will be well worth it to you if you take the time to break in your Jet 1’s batteries properly.

IX. BATTERIES AND CHARGING

NOTE: The useful life of a battery is quite often a reflection of the care it receives.

How can I ensure maximum battery life?

A fully charged deep-cycle battery will provide reliable performance and extended battery life. Keep your Jet 1's batteries fully charged whenever possible. Batteries that are regularly and deeply discharged, infrequently charged, or stored without a full charge may be permanently damaged, causing unreliable Jet 1 operation and limited battery life.

How should I store my Jet 1 and its batteries?

If you do not use your Jet 1 regularly, we recommend maintaining battery vitality by charging the batteries at least once per week.

If you do not plan on using your Jet 1 for an extended period, fully charge the batteries prior to storage. Disconnect the battery harnesses and store the Jet 1 in a warm, dry environment. Avoid temperature extremes, such as freezing and excessively hot conditions, and never attempt to charge a frozen battery. A cold or frozen battery should be warmed for several days prior to recharging.

NOTE: If you are storing a Jet 1 for an extended period of time, you may wish to block the unit up with several boards under the frame. This will keep the tires off the ground and prevent the possibility of flat spots developing on the tires where they come in contact with the floor.

What about public transportation?

If you intend to use public transportation while using your Jet 1, you must contact in advance the transportation provider to determine their specific requirements.

Sealed lead-acid and gel cell batteries are designed for application in power chairs and in other mobility vehicles. Generally, sealed lead-acid batteries are safe for all forms of transportation such as aircraft, buses, and trains. We suggest that you contact your transportation provider to determine specific requirements of transportation and packaging.

What about shipping?

If you wish to use a freight company to ship your Jet 1 to your final destination, repack your Jet 1 in the original shipping container and ship the batteries in separate boxes.

X. CARE AND MAINTENANCE

ROUTINE MAINTENANCE

Your Jet 1 is a sophisticated power chair. Like any motorized vehicle, it requires routine maintenance checks. You can perform some of these checks, but others require assistance from an authorized Pride provider. Preventive maintenance is very important. If you follow the maintenance checks in this section as scheduled, you can help ensure that your Jet 1 gives you years of trouble-free operation. If you have any doubt as to your Jet 1's care or operation, contact your authorized Pride provider.



CAUTION! Direct exposure to water or dampness could cause the power chair to malfunction electronically and mechanically. Water can cause electrical components to corrode and the chair's frame to rust.

Should your Jet 1 come in contact with water:

1. Dry your Jet 1 as much as possible with a dry towel.
2. Allow your Jet 1 to sit in a warm dry place for 12 hours to allow unseen water to evaporate.
3. Check the joystick operation and the brakes before using your Jet 1 again.
4. If any inconsistencies are found, take your Jet 1 to an authorized Pride provider.

TEMPERATURE

Some of the parts of your Jet 1 are susceptible to extreme changes in temperature. Always keep your Jet 1 in an environment that is between 18° F and 122° F.

- In extremely cold temperatures the batteries may freeze. The specific temperature at which they will freeze depends on a number of factors, such as battery charge, usage, and composition of the batteries (e.g., sealed lead-acid or gel cell).
- Temperatures above 122° F may cause your Jet 1 to operate at a reduced speed. This is a safety feature built into the controller that helps prevent damage to the motor and to other electrical components. See VIII. "Operation."

GENERAL GUIDELINES

- Avoid knocking or bumping the controller, especially the joystick.
- Avoid prolonged exposure of your Jet 1 to extreme conditions, such as heat, cold, or moisture.
- Keep the controller clean.
- Check all controller connectors on the utility tray to ensure that they are all tight and secured properly. Also check the charger harness connector.
- When the battery indicator gauge is completely lit, the batteries are fully charged, and the controller and the electrical system are OK.
- If two red LEDs on the battery indicator gauge are blinking slowly, the batteries are low and need to be charged, but the controller and the electrical system are OK.
- If the battery condition meter is blinking rapidly, the controller has detected a fault in either its own circuits or in your Jet 1's circuits. See VIII. "Operation."
- Make sure the drive tires are inflated to 30–35 psi. See figure 26.

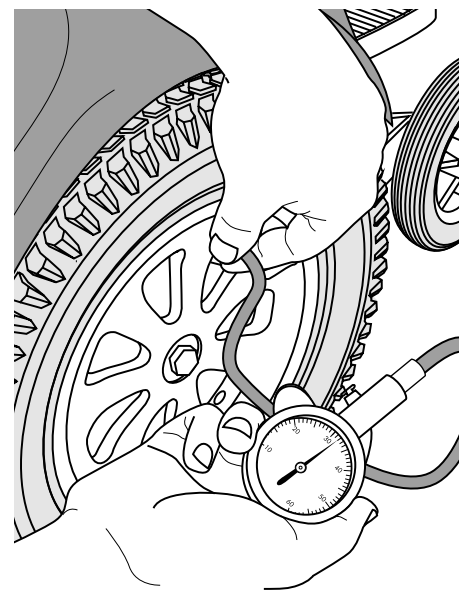


Figure 26. Check Tire Pressure

X. CARE AND MAINTENANCE



WARNING! Make sure your tires are inflated to 30-35 psi. Do not underinflate or overinflate your tires. Low pressure may result in loss of control, and overinflated tires may burst. Serious personal injury may result. Overinflating tires can cause them to explode and can result in personal injury.

WARNING! Do not use a high pressure hose to inflate your tires.

- Use a rubber conditioner on the tire sidewalls to help preserve them.



WARNING! Never use a rubber conditioner on the tread area of the tires. Doing so may make the tires slippery and cause your Jet 1 to skid. Check the tires for wear.

- The body shroud has been sprayed with a clear sealant coating. You can apply a light coat of car wax to help it retain its high-gloss appearance.
- Check all electrical connections. Make sure they are tight and are not corroded. Batteries must sit flat within the battery well, with the battery terminals facing inward, towards each other. Refer to the frame decal for the correct wiring layout.
- All wheel bearings are prelubricated and sealed. They require no subsequent lubrication.

DAILY CHECKS

- With the controller turned off, check the joystick. Make sure it is not bent or damaged and that it returns to the center when you release it. Check the rubber boot around the base of the joystick for damage. Visually inspect the boot. Do not handle or try to repair it. See your authorized Pride provider if there is a problem.
- Visually inspect the controller harnesses. Make sure that they are not frayed or cut or have any wires exposed. See your authorized Pride provider if there is a problem with any of these harnesses.

WEEKLY CHECKS

- Disconnect and inspect the controller and the charger harnesses from the utility tray. Look for corrosion. Contact your authorized Pride provider if necessary.
- Ensure that all parts of the controller system are securely fastened to your Jet 1. Do not overtighten any screws.
- Check for proper tire inflation. There should be 30–35 psi in each tire. If a tire will not hold air, see an authorized Pride provider for replacement of the tube.
- Calibrate the joystick if a noticeable difference in performance is detected or if the joystick does not operate properly. To calibrate the joystick, power off the unit, place the joystick in the neutral position, and power the unit back on. If, performing after this procedure, a problem still exists with the joystick's performance, contact your authorized Pride provider.
- Check the brakes. This test should be carried out on a level surface with at least three feet of clearance around your Jet 1.

To check the brakes:

1. Turn on the controller and turn the speed and response adjustment knob to the slowest setting.
2. After one second, check the battery gauge. Make sure that it remains on.
3. Slowly push the joystick forward until you hear the electric brakes click. Immediately release the joystick. You must be able to hear each electric brake operating within a few seconds of joystick movement. Repeat this test three more times, pushing the joystick backwards for the second test, then to the left for the third test, and finally to the right for the last test.

X. CARE AND MAINTENANCE

MONTHLY CHECKS

- Check that the anti-tip wheels are not rubbing the ground when you are operating the Jet 1. Adjust them as necessary.
- Check for extreme wear on the anti-tip wheels. Replace them as necessary.
- Check for drive-tire wear. See an authorized Pride provider for repair.
- Check the rear casters for wear. Replace them as necessary.
- Check the rear forks for damage or fluttering, which indicates that they may need to be adjusted or have their bearings replaced. See an authorized Pride provider for repair.
- Keep your Jet 1 clean and free of foreign material, such as mud, dirt, hair, food, drink, etc.

YEARLY CHECKS

Take your Jet 1 to an authorized Pride provider for yearly maintenance. This helps ensure that your Jet 1 is functioning properly. Yearly maintenance will help prevent future complications.

STORAGE

Your power chair should be stored in a dry place, free from temperature extremes. When storing, disconnect the batteries from the Jet 1. See IX. “Batteries and Charging.”



WARNING! If you fail to store the unit properly, the frame can rust and the electronics can be damaged.

CLEANING INSTRUCTIONS



CAUTION! Never hose off your Jet or place it in direct contact with water. Your Jet has a painted, ABS plastic body shroud that allows it to be easily wiped clean with a damp cloth.

CAUTION! Never use any chemicals to clean a vinyl seat, as they may cause the seat to become slippery or dry out and crack. Use soapy water and dry the seat thoroughly.

TIRES AND TUBES

If your Jet 1 is equipped with pneumatic tires, you should check the air pressure at least once each week. Proper inflation (30–35 psi) will prolong the life of the tires as well as help ensure the perfect operation of your chair. If you have a flat tire, replace the tube. Replacement tires and tubes are readily available at the authorized Pride provider where you purchased your Jet 1.

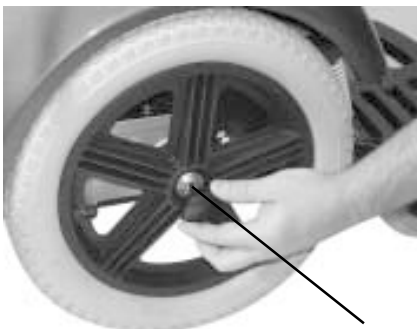


Figure 27. Drive Wheel

DRIVE WHEEL NUT



Figure 28. Drive Wheel Nut Removal

X . C A R E A N D M A I N T E N A N C E



WARNING! To avoid possible injury, be sure that the controller's power is turned off and the power chair is not in freewheel mode before performing this procedure.

WARNING! Completely deflate the tire before attempting repair.

Follow these easy steps for a quick and safe repair:

1. Completely deflate any pneumatic tire.
2. Remove the cap in the center of the wheel that covers the drive wheel nut. See figure 27.
3. Use an 11/16-in. ratchet and socket to remove the drive wheel nut from the center hub of the wheel. See figure 28.
4. Pull the wheel off of the axle.
5. Separate the tire and tube from the rim.
6. Remove the old tube and/or tire and replace it with a new tube and/or tire.
7. Slide the wheel back onto the shaft.
8. Install the drive wheel nut into the center hub and tighten.
9. Inflate the tire to 30–35 psi.

BATTERY REPLACEMENT

A diagram is printed on a decal located on the Jet 1 frame near the battery tray.

To replace the batteries:

1. Turn off the power.
2. Unplug the controller wire harness.
3. Remove the seat.
4. Remove the body shroud.
5. Loosen the wing nuts on the positive (red) battery terminals first.
6. Remove the wires.
7. Loosen the wing nuts on the negative (black) battery terminals.
8. Remove the wires.
9. Replace the batteries.
10. Install the batteries into your Jet 1 with the terminal sides of the batteries facing inward, toward each other.
11. Connect the wire marked (+) to the closest positive (red) battery terminal.
12. Connect the wire marked (-) to the closest negative (black) battery terminal on the other battery.
13. Connect one circuit breaker harness to the empty positive terminal of one battery, and connect the other circuit breaker harness to the empty negative terminal of the other battery.



WARNING! Make sure you tighten the fasteners so that the connections are secure.

MOTOR BRUSHES

The electric motors that power your Jet 1 use carbon brushes. These brushes may become susceptible to wear over a long period of time. The motor brushes are the two contacts located inside the motor assembly that supply power to the motor. They are designed to provide several thousand hours of operation. However, if the brushes become dirty with carbon deposits or wear out, the motor will run poorly or not at all. We recommend that your authorized Pride provider inspect the brushes every six months, or sooner if your Jet 1 runs poorly.

X. CARE AND MAINTENANCE



CAUTION! If inspection determines excessive wear on the brushes, they must be replaced or motor damage will result. Failure to maintain the brushes could void your Jet 1's warranty.

To inspect or replace the motor brushes:

1. Remove the seat and body shroud. See VII. "Disassembly."
2. Unscrew the motor brush caps. See figure 29.
3. Remove the brushes.
4. Inspect for wear.
5. Replace brushes, if necessary. Contact your authorized Pride provider for replacement brushes.

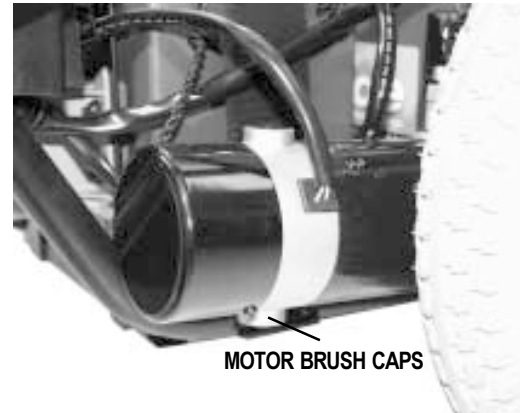


Figure 29. Motor Brush Caps

CORRECTIVE MAINTENANCE

If the battery indicator gauge does not light up when you turn on the power:

- Check the harness connections. Make sure they are tight.
- Check the circuit breaker. Reset it, if necessary, by pushing down the circuit breaker button.
- Check the battery connections.

If the above conditions prove normal, you can load test the batteries with a battery load tester. These testers are available at automotive parts stores. Disconnect both batteries before load testing and follow the directions that come with the load tester. If either one of the batteries fails the load test, replace both of them. If your Jet 1 still does not power up, contact your authorized Pride provider.

WHEN TO SEE YOUR PRIDE PROVIDER FOR SERVICE

The following symptoms could indicate a serious problem with your Jet 1. If necessary, contact an authorized Pride provider. When calling, have your Jet 1's model number, serial number, the nature of the problem, and the trouble code if available.

- Motor noise
- Frayed harnesses
- Cracked or broken connectors
- Uneven wear on any of the tires
- Jerky motion
- Pulling to one side
- Bent or broken wheel assemblies
- Does not power up
- Powers up, but does not move

XI. OPTIONAL ACCESSORIES

The following accessories are available from your authorized Pride provider.

OXYGEN TANK HOLDER

The removable oxygen tank holder is mounted to the back of the seat by means of the accessory bracket.

CANE AND CRUTCH HOLDER

The removable cane and crutch holder is mounted to the back of the seat by means of the accessory bracket.

WALKER HOLDER

The removable walker holder is mounted to the back of the seat by means of the accessory bracket. It can hold a standard size walker.

REAR BASKET

The rear basket is mounted to the accessory bracket. It has a handle that you can use when you remove the basket from your Jet 1.

CUP HOLDER (NOT SHOWN)

The cup holder is mounted to the armrest.

XII. WARRANTY

FIVE-YEAR LIMITED FRAME WARRANTY

There is a five-year limited frame warranty on Pride workmanship.

ONE-YEAR LIMITED WARRANTY

For one (1) year from the date of purchase, Pride will repair or replace at our option to the original purchaser free of charge, any of the following parts found upon examination by an authorized representative of Pride to be defective in material and/or workmanship:

- Electronic controllers and joystick assemblies
- Motor/gearbox assembly
- Main frame subassemblies (fork, caster beams, metal seat base, metal arms, metal footplate)
- Plastic components, except the body shroud
- Rubber components
- Bearings and bushings
- Caster and anti-tip wheels

WARRANTY EXCEPTIONS

- **Motor:** The commutator of the motor is not warranted if the damage is caused by not replacing the motor brushes after heavy wear to the brushes. Motor brushes are wear items and are not warranted.
- **Brakes:** There is a one-year warranty for the electrical function of the brakes. Brake pads are wear items and are not warranted.
- **Batteries:** The batteries are covered by the battery manufacturer. The battery warranty is not covered by Pride.

Warranty service can be performed by an authorized Pride provider. Do not return faulty parts to Pride without prior consent. All transportation costs and shipping damage incurred while submitting parts for repair or replacement are the responsibility of the original purchaser.

WARRANTY EXCLUSIONS

- ABS plastic body shrouds and footrest covers are wear items and not warranted.
- Batteries (The battery manufacturer provides a six-month limited warranty.)
- Tires and tubes
- Upholstery and seating
- Repairs and/or modifications made to any part without specific prior written consent from Pride
- Circumstances beyond the control of Pride
- Labor, service calls, shipping, and other charges incurred for repair of the product unless specifically authorized by Pride

Damage caused by:

- Battery fluid spillage or leakage
- Abuse, misuse, accident, or negligence
- Improper operation, maintenance, or storage
- Commercial use, or use other than normal

XII. WARRANTY

There is no other express warranty.

Implied warranties, including those of merchantability and fitness for a particular purpose, are limited to one (1) year from the date of purchase and to the extent permitted by law. Any and all implied warranties are excluded. This is the exclusive remedy. Liabilities for consequential damages under any and all warranties are excluded.

Some states do not allow limitations on how long an implied warranty lasts or do not allow the exclusion of limitation of incidental or consequential damages. The above limitation or exclusion may not apply to you.

This warranty gives you specific rights, and you may also have other rights that vary from state to state.

Please fill out and return the warranty card to Pride. This will aid Pride in providing the best possible technical and customer service.

JET 1

with **ATS**



Quality Control - Model Jet 1 ATS

Thank you for making the Jet 1 ATS your choice in power chairs.

We have thoroughly inspected your Jet 1 ATS. The following checkmarks indicate that it has been driven and inspected.

Model # _____

Serial # _____

Inclusion of all Parts

Controller _____
Controller Serial # _____

Fit and Finish

Performance



Pride keeps a more detailed report on file at the factory.

Date Inspected

Inspector